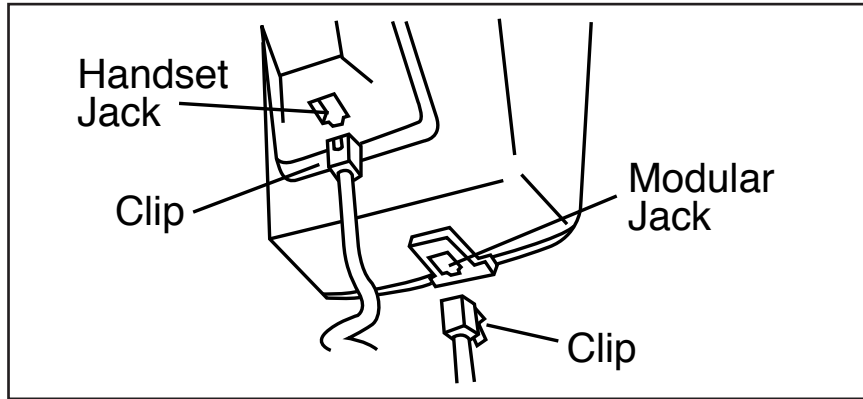


12' HANDSET CORD



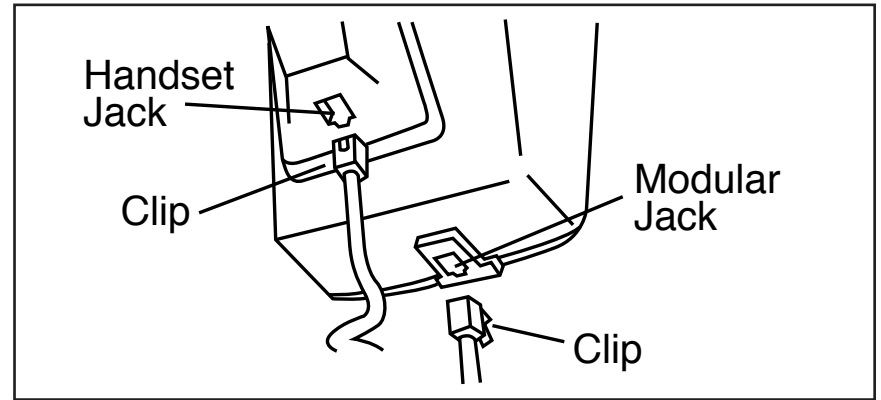
If you have a modular handset cord connected to your telephone, simply remove it by squeezing the clip on the end of the plug and remove the cord. Installation: Replace it with your new handset cord by simply aligning one end of the modular plug with the modular jack on your telephone base, squeeze the clip and push gently until it locks in place. Connect the other end of the handset cord to the handset by aligning the modular plug with the handset jack, squeezing the clip and pushing it gently into place until it locks.

Limited Warranty

If this product is defective in material or workmanship, return it with proof of purchase in ninety (90) days of the date of purchase to the place of purchase for replacement of a similar item at no charge. Replacement is your exclusive remedy. There are no other express warranties.

Copyright©2008 by
International Resources, Inc.
All rights reserved.
Made in China.

12' HANDSET CORD



If you have a modular handset cord connected to your telephone, simply remove it by squeezing the clip on the end of the plug and remove the cord. Installation: Replace it with your new handset cord by simply aligning one end of the modular plug with the modular jack on your telephone base, squeeze the clip and push gently until it locks in place. Connect the other end of the handset cord to the handset by aligning the modular plug with the handset jack, squeezing the clip and pushing it gently into place until it locks.

Limited Warranty

If this product is defective in material or workmanship, return it with proof of purchase in ninety (90) days of the date of purchase to the place of purchase for replacement of a similar item at no charge. Replacement is your exclusive remedy. There are no other express warranties.

Copyright©2008 by
International Resources, Inc.
All rights reserved.
Made in China.